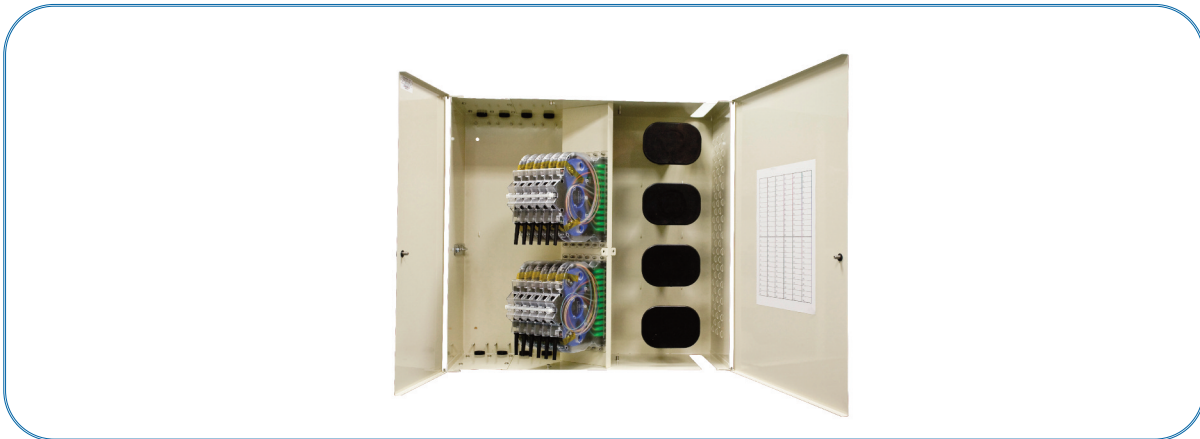


FieldSmart Fiber Delivery Point (FDP)

Indoor 144-Port Wall Mount Panel



Application

- MDU (Multi-Dwelling Units)

Description

The FieldSmart Fiber Delivery Point (FDP) 144-Port Indoor Wall Mount Panel is Clearview Multiplied, allowing the user to easily scale from 12 to 288** ports. Utilizing Clearview Cassettes, the product is shipped and loaded with the industry standard adapter of your choice. It is preloaded for patch only or patch & splice applications and supports all cable constructions for the inside or outside plant. The FieldSmart FDP 144-Port Wall Mount Panel has removable doors for easy installation, security enabled doors for added protection and a solid enclosure design to protect fiber terminations from damage. Also supports PON applications with the ability to house up to four 1 x 32 splitters. Additional applications include fiber demarcation, CATV applications, entrance facilities, security systems (CCTV), and telecommunications room.

*Mid span / ring cut capable of reducing installation costs and deployment time. **288 ports are capable by ganging two units together.

Features & Benefits

Integrity

- 100% tested GR-326 compliant terminations and are GR-20 and GR-409 compliant
- Supports all industry standard singlemode and multimode connectors
- 100% performance tested for I.L./R.L. and final mechanical inspect

Protection

- Radius protected storage for up to five (5) meters of jacketed fiber or patch cord slack is provided (patch side)
- Rugged steel construction with security enabled doors provide protection from tampering or inadvertent damage with industry-standard can wrench fasteners
- Integrated fiber management protects fiber from micro-bend and macro-bend damage
- A grounding lug is included
- Secondary locking fasteners for optional padlock

Access

- Removable doors and non-angled connectors enable easy fiber jumper routing, reducing the risk of fiber damage
- Upper and lower entry/exit points for feeder/customer premise cables
- Larger design facilitates ease of access in the environments product is deployed and is accessible using a standard can wrench
- Pre-loaded for patch only or patch & splice applications

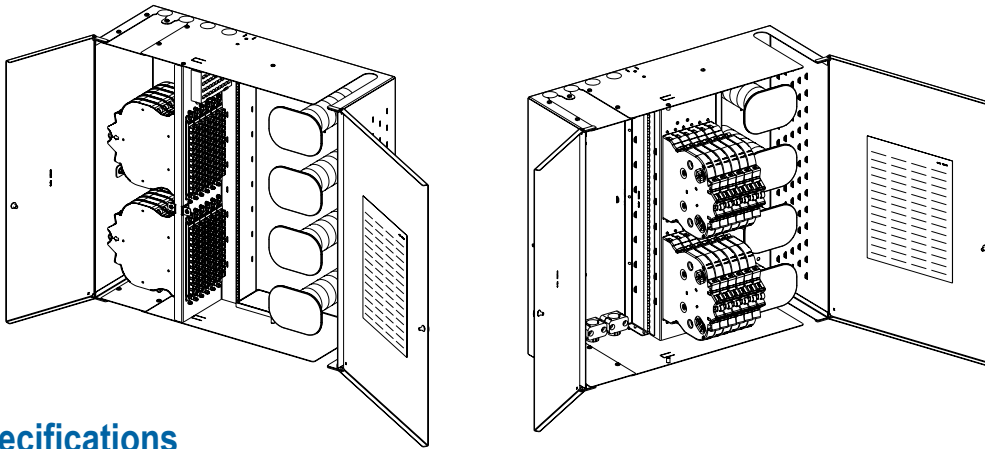
Investment

- Scalable to 144 ports of fiber using Clearview Cassettes loaded with the interface of your choice: user-defined feeder/dist. port counts
- Pre-configured/pre-loaded factory terminated assemblies
- Panel can be configured as a tie panel and later converted to a patch only or a patch & splice panel, utilizing the Clearview Cassette

FDP Indoor 144-Port Wall Mount Panel

FieldSmart Fiber Delivery Point (FDP)

Indoor 144-Port Wall Mount Panel



Specifications

Indoor 144-port Wall Mount Panel	
Dimensions	24" H x 26" W x 8" D
Port Density	Up to 144 ports (in 12-port increments)
Splice Capacity	12 splices in each Clearview Cassette
Interface Types	ST, SC, SC APC, FC, FC APC, LC, LC APC
Storage Capacity	Up to 5 meters of 12-fiber IFC jacketed fiber

Accessories

- Ruggedized Splitter (page 70)

Configured Part Numbers

W Z - - - Z Z XXXM or XXXF

1 2 3 4 5 6

1 Select wallmount style

J = Patch only
K = Patch & splice
L = Tie Panel

2 Select port count

X X X = port count in increments of 12

3 Select connector style

A = SC UPC F = LC UPC
C = SC APC H = LC APC

4 Select Mode / Type

1 = Singlemode, non ribbon
2 = Singlemode, ribbon
3 = Multimode (62.5), non ribbon
4 = Multimode (62.5) ribbon
9 = No fiber - multimode
0 = No fiber - singlemode

5 Select cable construction

A = Indoor, Riser Rated (IFC)
B = OSP, Riser Rated
C = Indoor, Plenum (IFC)
E = OSP, Non-Rated
F = 900um Tight Buffer (P & S only)

XXXM or XXXF

XXXF = Length of pigtail in feet
XXXM = Length of pigtail in meters

6 Select cable exit *

2 = Top Left
4 = Bottom Left
Z = N/A - Use for Patch & Splice

* Cable exit is defined by which direction the cable exits the panel when viewing it from the front.