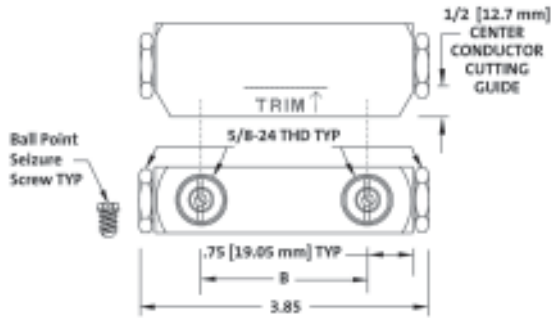


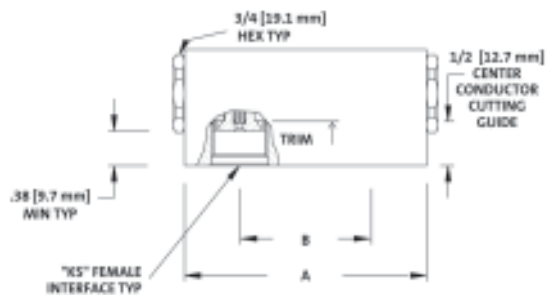
Splice Blocks and Socket Contact Adapters



Splice Block (Screw Contact)

- G-SPB-2.00 (B) = 2.00
- G-SPB-2.75 (B) = 2.75
- G-SPB-2.75-GLU (B) = 2.75

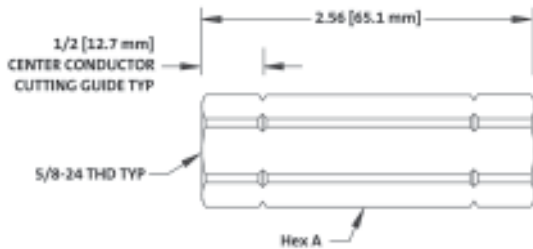
A ball point seizure screw is utilized to eliminate plating damage on the mating pin connector.



Pedestal Splice Block (Socket Contact)

- G-PED-SP-1.50 (A) = 3.35 (B) = 1.50
- G-PED-SP-2.00 (A) = 3.85 (B) = 2.00
- G-PED-SP-2.75 (A) = 4.60 (B) = 2.75

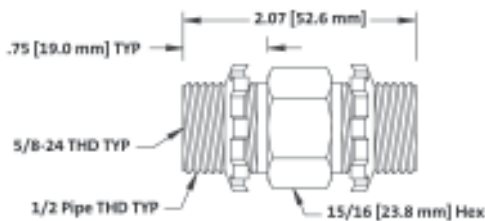
Accepts .065"-0.75" pins



Female Splice (Socket Contact)

- G-KS-KS-FS (A) = 3/4
- G-KS-KS-FSL (A) = 1-1/4

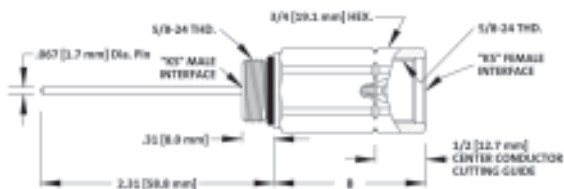
Accepts .065"-0.75" pins



Female Splice (Socket Contact)

- G-KS-KS-FS-EC

Accepts .065"-0.75" pins



Extension Adapter (Socket Contact)

- G-EXT-1.5-SC-T (B) = 1.50
- G-EXT-3-SC-T (B) = 3.00
- G-EXT-4.5-SC-T (B) = 4.50
- G-EXT-6-SC-T (B) = 6.00
- G-EXT-9-SC-T (B) = 9.00

Accepts .065"-0.75" pins